

NOTE: REFER TO DRAWING NO. MAY-MDC-HRW-LC03-DR-C-0302, FOR PORTERSTOWN CROSS SECTIONS

| REV. | DATE | DESCRIPTION | PRODUCED BY | REVIEWED BY | APPROVED BY |
|------|------------|----------------|-------------|-------------|-------------|
| V 01 | April 2022 | PLANNING ISSUE | JMC | TL | MK |

© Irish Rail (2021). This drawing is confidential and the copyright in it is owned by Irish Rail. This drawing must not be either loaned, copied or otherwise reproduced in whole or in part or used for any purpose without the prior permission of Irish Rail.
 © Ordnance Survey Ireland and Government of Ireland. All O.S. data used for plans are printed under "Copyright Ordnance Survey Ireland"
 Survey No. 9028721 OSi Aerial Data or OSi Laser Data & Survey No. 2021050_NMA_180 OSi Vector Data.
 All elevations are in metres and relate to OSi Geoid Model (OSGM02) Mean Head as defined by existing Project Control.
 All Co-ordinates are in Irish Transverse Mercator Grid (ITM) as defined by OSi active GPS station TaBágh CeBege (TLLG).

Client

Project

Consultant

Drawing Title

ROADWORKS DESIGN - LC03: PORTERSTOWN
GENERAL ARRANGEMENT
OVERALL LAYOUT

Scale:

1:500 @ A1 1:1,000 @ A3

| Drawing Number | Project | Originator | Discipline | Location | Type | Role | Number | Phase |
|----------------|---------|------------|------------|----------|------|------|--------|-------|
| MAY | MDC | HRW | LC03 | DR | C | 0100 | D | |

| | | | |
|------------|----------|--------------------------|------|
| Date: | Job No: | Status: | Rev: |
| April 2022 | P/101086 | F1 - Approved & Accepted | V 01 |

Sheet: 01 of 01



NOTES

1. ALL DIMENSIONS ARE IN METRES UNLESS NOTED OTHERWISE.
2. ALL LEVELS ARE IN METRES ABOVE NATIONAL ORDNANCE DATUM. ALL LEVELS ARE IN METRES ABOVE NATIONAL ORDNANCE DATUM.

LEGEND

- CARRIAGEWAY
- FOOTWAY
- VERGE
- EMBANKMENT

| | | | | | |
|-------------|------------|----------------|-------------|----|----|
| REV. | DATE | DESCRIPTION | JMC | TL | MK |
| V 01 | April 2022 | PLANNING ISSUE | | | |
| PRODUCED BY | | | REVIEWED BY | | |
| APPROVED BY | | | | | |

© Irish Rail (2021). This drawing is confidential and the copyright in it is owned by Irish Rail. This drawing must not be either loaned, copied or otherwise reproduced in whole or in part or used for any purpose without the prior permission of Irish Rail.
 © Ordnance Survey Ireland and Government of Ireland. All O.S. data used for plans are printed under "Copyright Ordnance Survey Ireland"
 Survey No. 0039701 (OSi Aerial Data) & OSi Laser Data & Survey No. 021708_000A_100 (OSi Vector Data).
 All elevations are in metres and relate to OSi Geoid Model (OSGM02) Mean Head as defined by existing Project Control.
 All Co-ordinates are in Irish Transverse Mercator Grid (ITM) as defined by OSi active GPS station Tallaght College (TLLO).

Client

Tionscatal Éireann
Project Ireland
2040

NTA
Údaráis Náisiúnta Iomparáil
National Transport Authority

Iarnród Éireann
Irish Rail

Consultant

IDOM

G3

ROD
RÉADHAR & O'CONNOR

Project

DART+
West

Drawing Title

ROADWORKS DESIGN - LC03: PORTERSTOWN
GENERAL ARRANGEMENT
SHEET 1 OF 2

Scale:
1:250 @ A1 1:500 @ A3

Drawing Number | Project | Originator | Discipline | Location | Type | Role | Number | Phase

MAY MDC HRW LC03 DR C 0101 D

Date: April 2022 Job No: P/101086 Status: F1 - Approved & Accepted Rev: V 01 Sheet: 01 of 02



NOTES

- ALL DIMENSIONS ARE IN METRES UNLESS NOTED OTHERWISE.
- ALL LEVELS ARE IN METRES ABOVE NATIONAL ORDNANCE DATUM. ALL LEVELS ARE IN METRES ABOVE NATIONAL ORDNANCE DATUM.

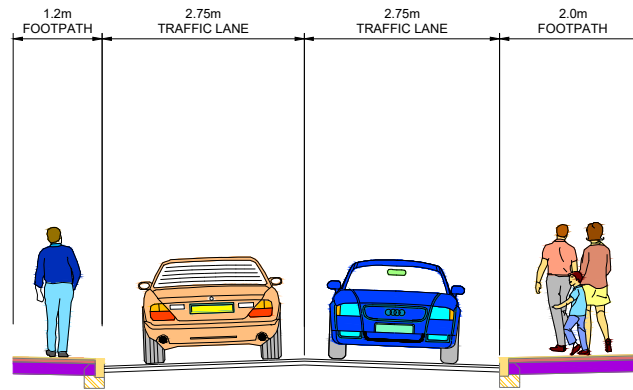
LEGEND

- CARRIAGEWAY
- FOOTWAY
- VERGE
- EMBANKMENT

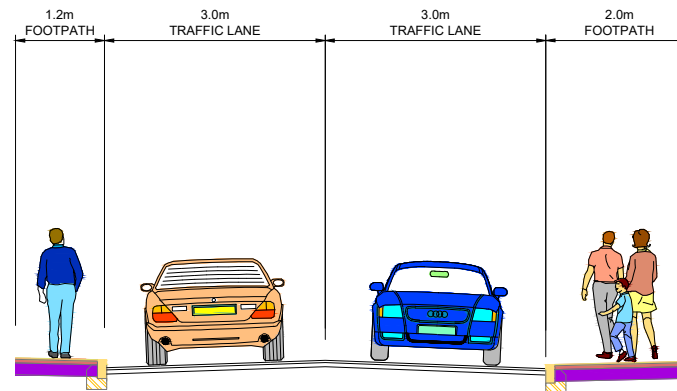
| | | | | | | | | | | | | |
|-------------------|---|--|--|----------------------------------|--|--|--|--|--|-----------|--|-----------------|
| Client | Tionscald Éireann Project Ireland 2040 | | | NTA National Transport Authority | | | Iarnród Éireann Irish Rail | | | | | |
| Consultant | IDOM | | | C3 | | | FROD | | | | | |
| Project | DART+ West | | | | | | | | | | | |
| Drawing Title | ROADWORKS DESIGN - LC03: PORTERSTOWN GENERAL ARRANGEMENT SHEET 2 OF 2 | | | | | | | | | | | |
| Scale: | 1:250 @ A1 | | | 1:500 @ A3 | | | Drawing Number Project Originator Discipline Location Type Role Number Phase | | | | | |
| 0 3.125 6.25 12.5 | Date: April 2022 | | | Job No: P/101086 | | | Status: F1 - Approved & Accepted | | | Rev: V 01 | | Sheet: 02 of 02 |

| | | | | | |
|------|------------|----------------|-------------|-------------|-------------|
| REV | DATE | DESCRIPTION | PRODUCED BY | REVIEWED BY | APPROVED BY |
| V 01 | April 2022 | PLANNING ISSUE | JMC | TL | MK |

© Irish Rail (2021). This drawing is confidential and the copyright in it is owned by Irish Rail. This drawing must not be either loaned, copied or otherwise reproduced in whole or in part or used for any purpose without the prior permission of Irish Rail.
 © Ordnance Survey Ireland and Government of Ireland. All O.S. data used for plans are printed under "Copyright Ordnance Survey Ireland"
 Survey No. 0039721 (OSI Aerial Data or OSi LIDAR Data) & Survey No. 2021051_NMA_180 (OSi Vector Data)
 All elevations are in metres and relate to OSi Geoid Model (OSiGM02) Mean Head as defined by existing Project Control.
 All Co-ordinates are in Irish Transverse Mercator Grid (TM) as defined by OSi active GPS station Tallaght College (TLG).



TYPICAL CROSS SECTION A-A
PORTERSTOWN STATION
LOCATED ON GA SHEET 01
DRAWING REF: MAY-MDC-HRW-LC03-DR-C-0100



TYPICAL CROSS SECTION B-B
PORTERSTOWN STATION
LOCATED ON GA SHEET 01
DRAWING REF: MAY-MDC-HRW-LC03-DR-C-0100

- NOTES:**
- FOR SECTION LOCATIONS SEE DRAWING: MAY-MDC-HRW-LC03-DR-C-0100
 - THE BOUNDARY TREATMENT SHOWN IS INDICATIVE ONLY.
 - THE PROPOSED PAVEMENT CONSTRUCTION IS INDICATIVE ONLY.

| | | | | | |
|------|------------|----------------|----|----|----|
| REV. | DATE | DESCRIPTION | KH | TL | MK |
| V 01 | April 2022 | PLANNING ISSUE | | | |

© Irish Rail (2021). This drawing is confidential and the copyright in it is owned by Irish Rail. This drawing must not be either loaned, copied or otherwise reproduced in whole or in part or used for any purpose without the prior permission of Irish Rail.
 © Ordnance Survey Ireland and Government of Ireland. All O.S. data used for plans are printed under "Copyright Ordnance Survey Ireland"
 Survey No: 8038721 (OSi Aerial Data or OSi Lidar Data) & Survey No: 2021008_MMA_188 (OSi Vector Data)
 All elevations are in metres and relate to OSi Geoid Model (OSGM02) Malin Head as defined by existing Project Control.
 All Co-ordinates are in Irish Transverse Mercator Grid (ITM) as defined by OSi active GPS station Tallaght College (TLTG).

Client

Consultant

Project

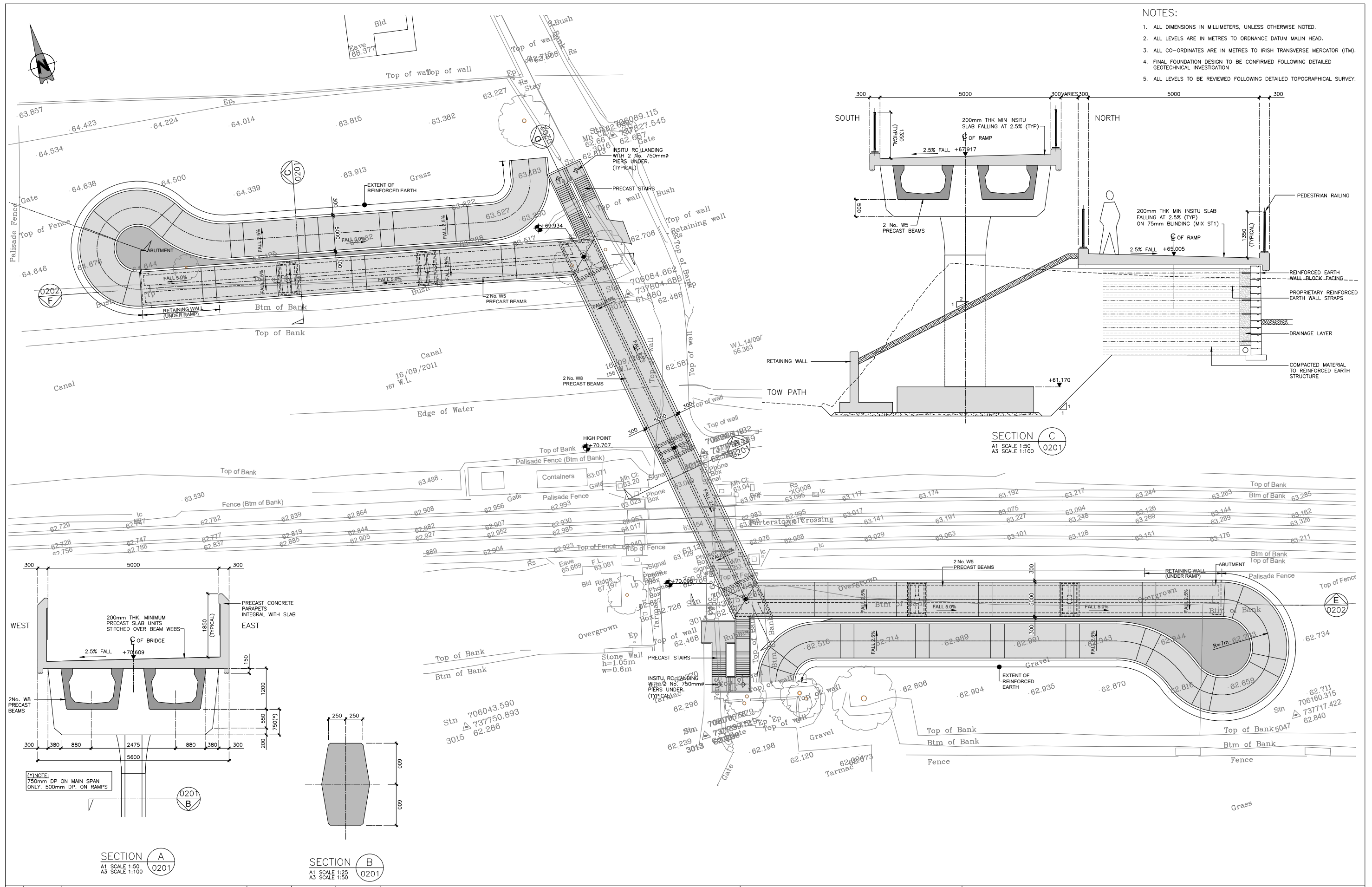
Drawing Title

ROADWORKS DESIGN - LC03: PORTERSTOWN
PORTERSTOWN ROAD JUNCTION - CROSS SECTIONS
SHEET 01 of 01

Scale:
1:50 @ A1 1:100 @ A3

| | | | | |
|------------|----------|--------------------------|------|----------|
| Date: | Job No: | Status: | Rev: | Sheet: |
| April 2022 | P/101086 | F1 - Approved & Accepted | V 01 | 01 of 01 |

- NOTES:
1. ALL DIMENSIONS IN MILLIMETERS, UNLESS OTHERWISE NOTED.
 2. ALL LEVELS ARE IN METRES TO ORDNANCE DATUM MALIN HEAD.
 3. ALL CO-ORDINATES ARE IN METRES TO IRISH TRANSVERSE MERCATOR (ITM).
 4. FINAL FOUNDATION DESIGN TO BE CONFIRMED FOLLOWING DETAILED GEOTECHNICAL INVESTIGATION
 5. ALL LEVELS TO BE REVIEWED FOLLOWING DETAILED TOPOGRAPHICAL SURVEY.



| REV. | DATE | DESCRIPTION | IT | LC | MK |
|------|------------|----------------|----|----|----|
| V 01 | April 2022 | PLANNING ISSUE | | | |
| 01 | | | | | |

PRODUCED BY REVIEWED BY APPROVED BY

© Irish Rail (2021). This drawing is confidential and the copyright in it is owned by Irish Rail. This drawing must not be either loaned, copied or otherwise reproduced in whole or in part or used for any purpose without the prior permission of Irish Rail.
 © Ordnance Survey Ireland and Government of Ireland. All O.S. data used for plans are printed under "Copyright Ordnance Survey Ireland" Survey No. 8029721 (OSI Aerial Data or OSi Lidar Data) & Survey No. 8021001, NMA 180 (OSi Vector Data).
 All elevations are in metres and relate to OSI Geoid Model (OSGM02) Mean Head as defined by existing Project Control.
 All Co-ordinates are in Irish Transverse Mercator Grid (ITM) as defined by OSI active GPS station Tallaght College (TLG).

Client

Tionscail Éireann
Project Ireland
2040

NTA
Údaráil Náisiúnta Iompartha
National Transport Authority

lanróid Éireann
Irish Rail

Consultant

IDOM

CS

PROF. DR. G. DIMITROV

Project

DART+
West

Drawing Title

STRUCTURES DESIGN - LC03: PORTERSTOWN
PEDESTRIAN, CYCLE AND MOBILITY IMPAIRED BRIDGE
GENERAL ARRANGEMENT SHEET 1 of 3

Scale:

1:250 @ A1 1:500 @ A3

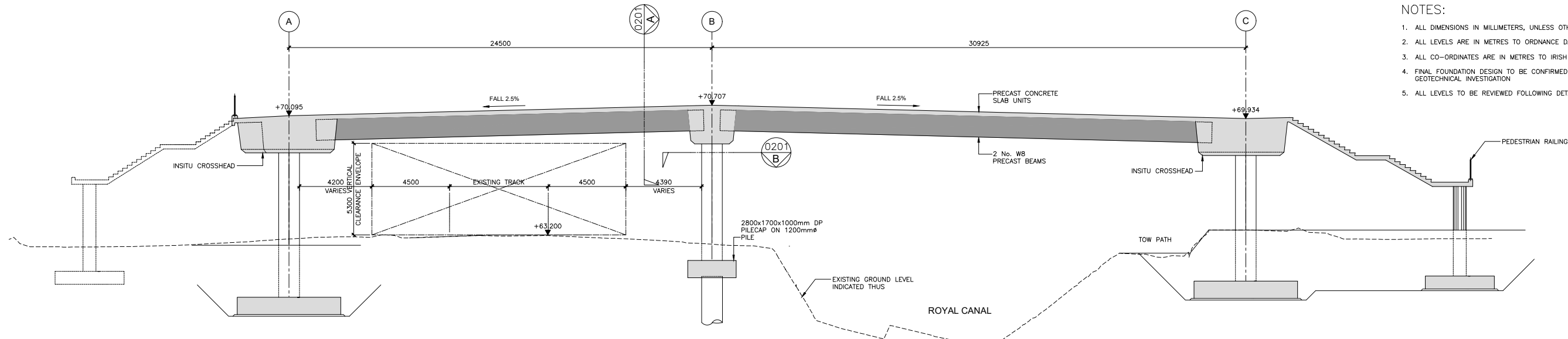
Drawing Number | Project | Originator | Discipline | Location | Type | Role | Number | Phase

MAY MDC STR LC03 DR C 0201 D

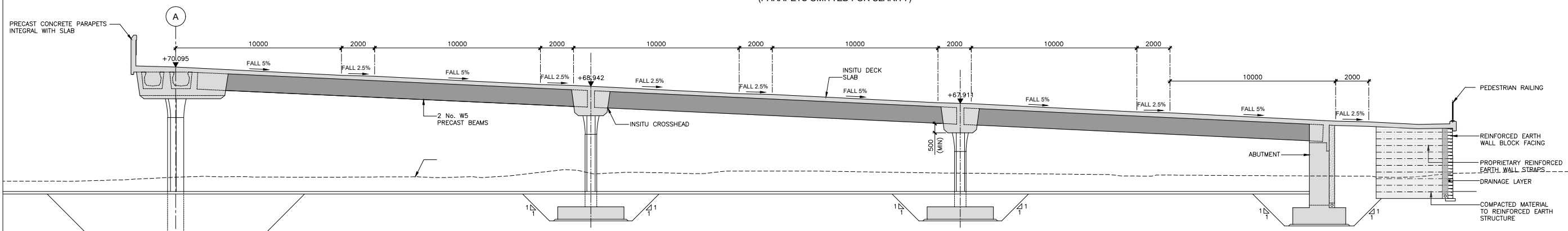
Date: April 2022 Job No: P/101086 Status: F1 - Approved & Accepted Rev: V 01 Sheet: 1 of 3

NOTES:

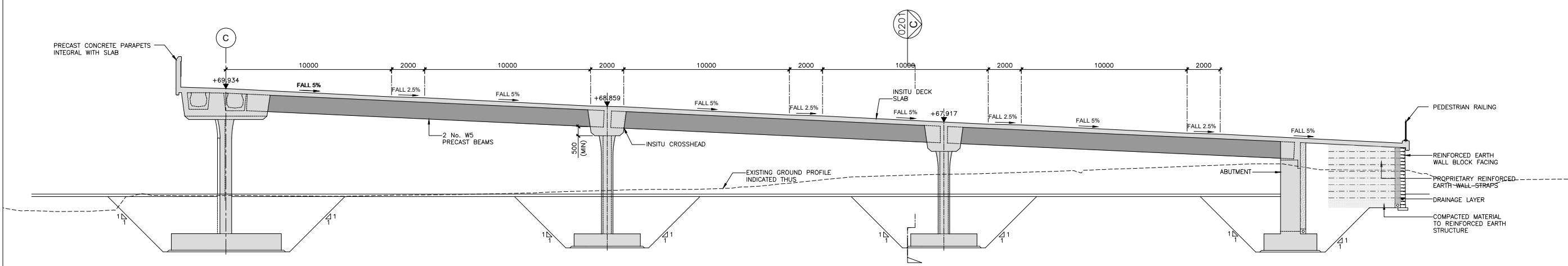
1. ALL DIMENSIONS IN MILLIMETERS, UNLESS OTHERWISE NOTED.
2. ALL LEVELS ARE IN METRES TO ORDNANCE DATUM MALIN HEAD.
3. ALL CO-ORDINATES ARE IN METRES TO IRISH TRANSVERSE MERCATOR (ITM).
4. FINAL FOUNDATION DESIGN TO BE CONFIRMED FOLLOWING DETAILED GEOTECHNICAL INVESTIGATION
5. ALL LEVELS TO BE REVIEWED FOLLOWING DETAILED TOPOGRAPHICAL SURVEY.



SECTION D
A1 SCALE 1:125
A3 SCALE 1:250
PORTERSTOWN FOOTBRIDGE MAIN SPAN LOOKING WEST
(PARAPETS OMITTED FOR CLARITY)



SECTION E
A1 SCALE 1:125
A3 SCALE 1:250
PORTERSTOWN FOOTBRIDGE SOUTH RAMP LOOKING NORTH
(HANDRAILS OMITTED FOR CLARITY)



SECTION F
A1 SCALE 1:125
A3 SCALE 1:250
PORTERSTOWN FOOTBRIDGE NORTH RAMP LOOKING SOUTH
(HANDRAILS OMITTED FOR CLARITY)

| | | | | | |
|-------------------------------------|------------|----------------|----|----|----|
| REV | DATE | DESCRIPTION | IT | LC | MK |
| V 01 | April 2022 | PLANNING ISSUE | | | |
| PRODUCED BY REVIEWED BY APPROVED BY | | | | | |

© Irish Rail (2021). This drawing is confidential and the copyright in it is owned by Irish Rail. This drawing must not be either loaned, copied or otherwise reproduced in whole or in part or used for any purpose without the prior permission of Irish Rail.
© Ordnance Survey Ireland and Government of Ireland. All O.S. data used for plans are printed under "Copyright Ordnance Survey Ireland"
Survey No. 6038721 (OSI Aerial Data or OSi Lidar Data) & Survey No. 2021056, MKL, 188 (OSi Vector Data).
All elevations are in metres and relate to OSi Geoid Model (OSGM02) Mean Head as defined by existing Project Control.
All Co-ordinates are in Irish Transverse Mercator Grid (ITM) as defined by OSi active GPS station Tallaght College (TLG).

Client

Consultant

Project

Drawing Title

STRUCTURES DESIGN - LC03: PORTERSTOWN PEDESTRIAN, CYCLE AND MOBILITY IMPAIRED BRIDGE GENERAL ARRANGEMENT SHEET 2 of 3

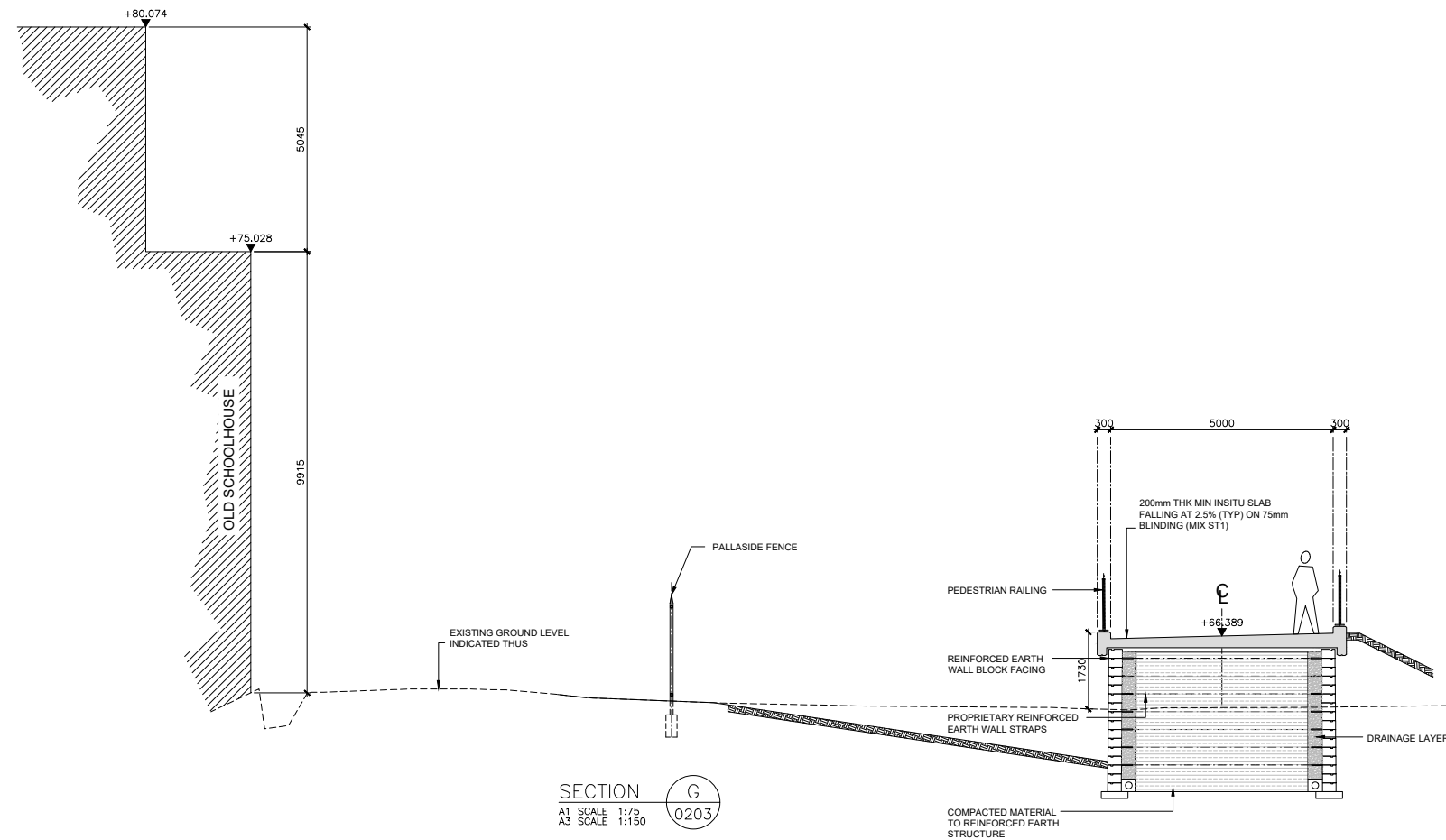
Scale: 1:125 @ A1 1:250 @ A3

Drawing Number | Project | Originator | Discipline | Location | Type | Role | Number | Phase
MAY MDC STR LC03 DR C 0202 D

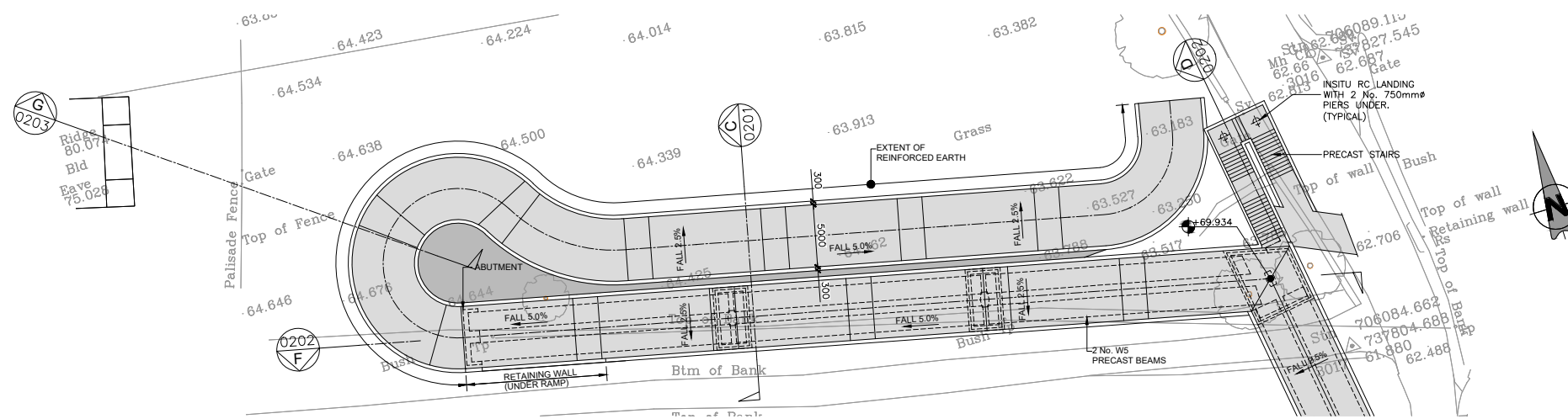
Date: April 2022 Job No: P/101086 Status: F1 - Approved & Accepted Rev: V 01 Sheet: 2 of 3

NOTES:

1. ALL DIMENSIONS IN MILLIMETERS, UNLESS OTHERWISE NOTED.
2. ALL LEVELS ARE IN METRES TO ORDNANCE DATUM MALIN HEAD.
3. ALL CO-ORDINATES ARE IN METRES TO IRISH TRANSVERSE MERCATOR (ITM).
4. FINAL FOUNDATION DESIGN TO BE CONFIRMED FOLLOWING DETAILED GEOTECHNICAL INVESTIGATION
5. ALL LEVELS TO BE REVIEWED FOLLOWING DETAILED TOPOGRAPHICAL SURVEY.



SECTION G
A1 SCALE 1:75
A3 SCALE 1:150



PORTERSTOWN NORTH RAMP PLAN
A1 SCALE 1:250
A3 SCALE 1:500

| | | | | | |
|-------------|------------|----------------|----|----|----|
| REV. | DATE | DESCRIPTION | IT | LC | MK |
| V 01 | April 2022 | PLANNING ISSUE | | | |
| PRODUCED BY | | | IT | LC | MK |
| REVIEWED BY | | | | | |
| APPROVED BY | | | | | |

© Irish Rail (2021). This drawing is confidential and the copyright in it is owned by Irish Rail. This drawing must not be either loaned, copied or otherwise reproduced in whole or in part or used for any purpose without the prior permission of Irish Rail.
 © Ordnance Survey Ireland and Government of Ireland. All O.S. data used for plans are printed under "Copyright Ordnance Survey Ireland"
 Survey No. 6029721 (OS Aerial Data or OSi Lister Data) & Survey No. 2021051_NMA_189 (OSi Vector Data)
 All elevations are in metres and relate to OSi Geoid Model (OSGM02) Mean Head as defined by existing Project Control.
 All Co-ordinates are in Irish Transverse Mercator Grid (ITM) as defined by OSi active GPS station Tallaght College (TLLO).

Client

Consultant

Project

Drawing Title

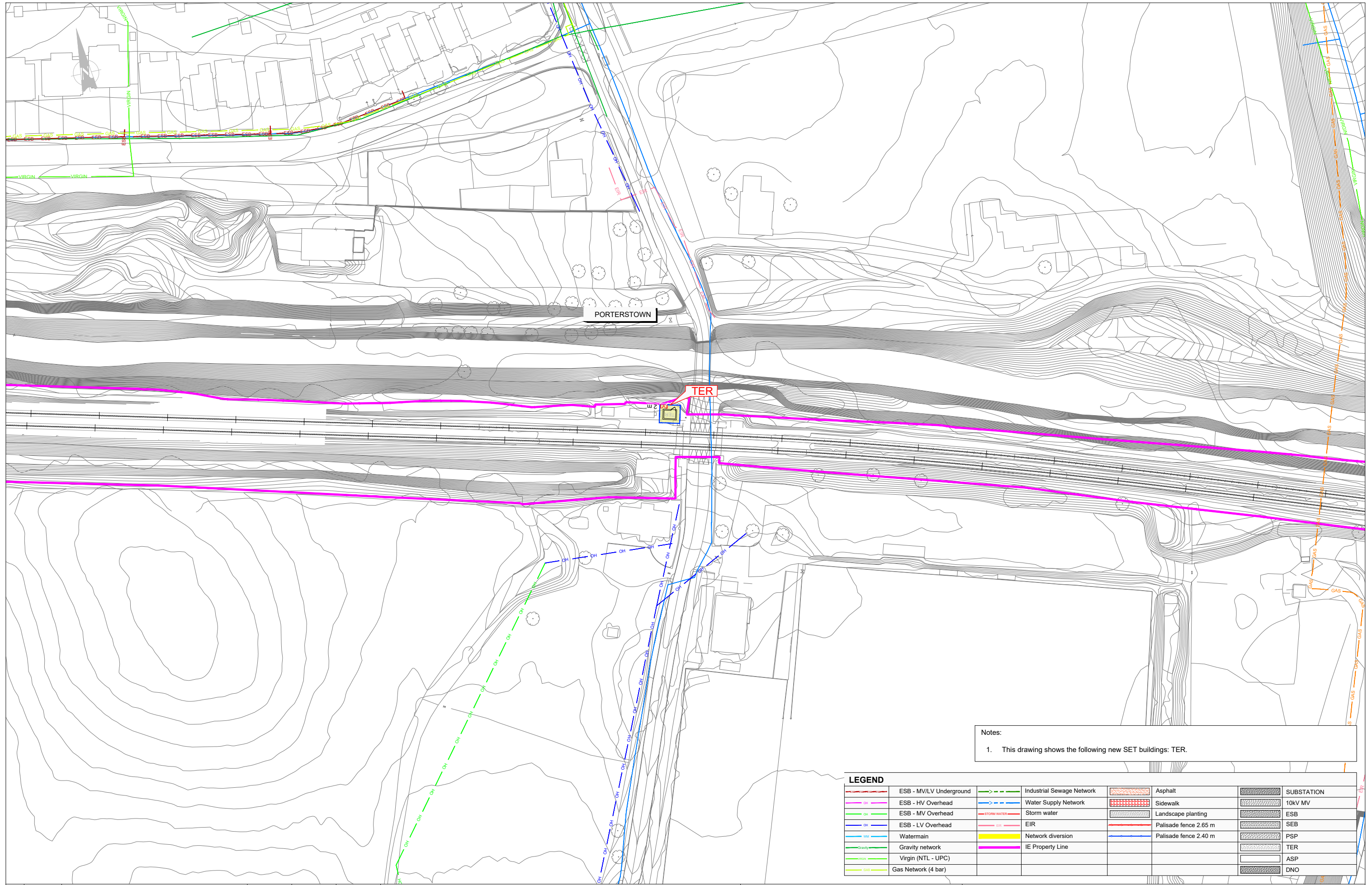
STRUCTURES DESIGN - LC03: PORTERSTOWN
PEDESTRIAN, CYCLE AND MOBILITY IMPAIRED BRIDGE
GENERAL ARRANGEMENT SHEET 3 of 3

Scale: 1:250 @ A1 1:500 @ A3

Drawing Number | Project | Originator | Discipline | Location | Type | Role | Number | Phase

MAY MDC STR LC03 DR C 0203 D

Date: April 2022 Job No: P/101086 Status: F1 - Approved & Accepted Rev: V 01 Sheet: 3 of 3



Notes:
 1. This drawing shows the following new SET buildings: TER.

| LEGEND | | | |
|-------------------------|---------------------------|-----------------------|------------|
| ESB - MV/LV Underground | Industrial Sewage Network | Asphalt | SUBSTATION |
| ESB - HV Overhead | Water Supply Network | Sidewalk | 10KV MV |
| ESB - MV Overhead | Storm water | Landscape planting | ESB |
| ESB - LV Overhead | EIR | Palisade fence 2.65 m | SEB |
| Watermain | Network diversion | Palisade fence 2.40 m | PSP |
| Gravity network | IE Property Line | | TER |
| Virgin (NTL - UPC) | | | ASP |
| Gas Network (4 bar) | | | DNO |

| | | | | |
|--|----------------|-----|-----|-----|
| REV. DATE | DESCRIPTION | MCG | MPT | CCS |
| V01 April 2022 | PLANNING ISSUE | | | |
| © Irish Rail (2020). This drawing is confidential and the copyright in it is owned by Irish Rail. This drawing must not be either loaned, copied or otherwise reproduced in whole or in part or used for any purpose without the prior permission of Irish Rail. | | | | |
| © Ordnance Survey Ireland and Government of Ireland. All O.S. data used for plans are printed under "Copyright Ordnance Survey Ireland". | | | | |
| Survey No. 0039720 (OSi Aerial Data or OSi Lidar Data) & Survey No. 2020/OSI_NMA_180 (OSi Vector Data). | | | | |
| All elevations are in metres and relate to OSi Geoid Model (OSGM02) Mean Head as defined by existing Project Control. | | | | |
| All Co-ordinates are in Irish Transverse Mercator Grid (ITM) as defined by OSi active GPS station Tallaght College (TLG0). | | | | |

Client

Tionscadal Éireann Project Ireland 2040

NTA Údarás Náisiúnta Iompartha National Transport Authority

Iarnród Éireann Irish Rail

Consultant

IDOM

G3

PROJ ROD

Project

DART+ West

Drawing Title

SET TECHNICAL BUILDINGS PORTERSTOWN

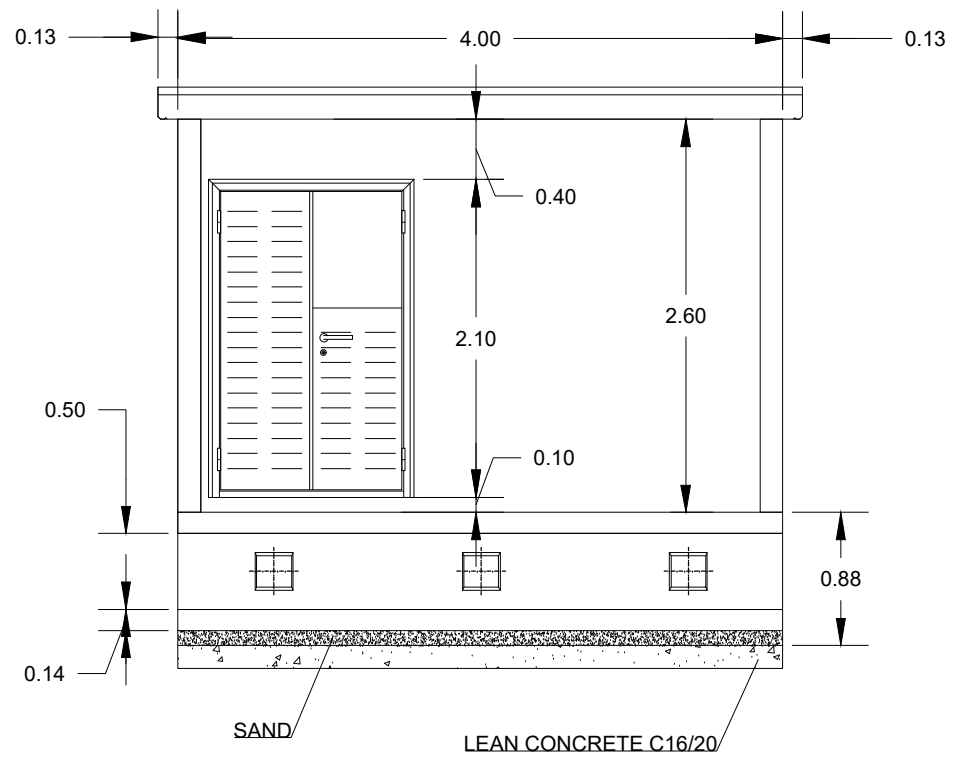
Scale: 1:500 @ A1

0 2.5 6.25 12.5 25

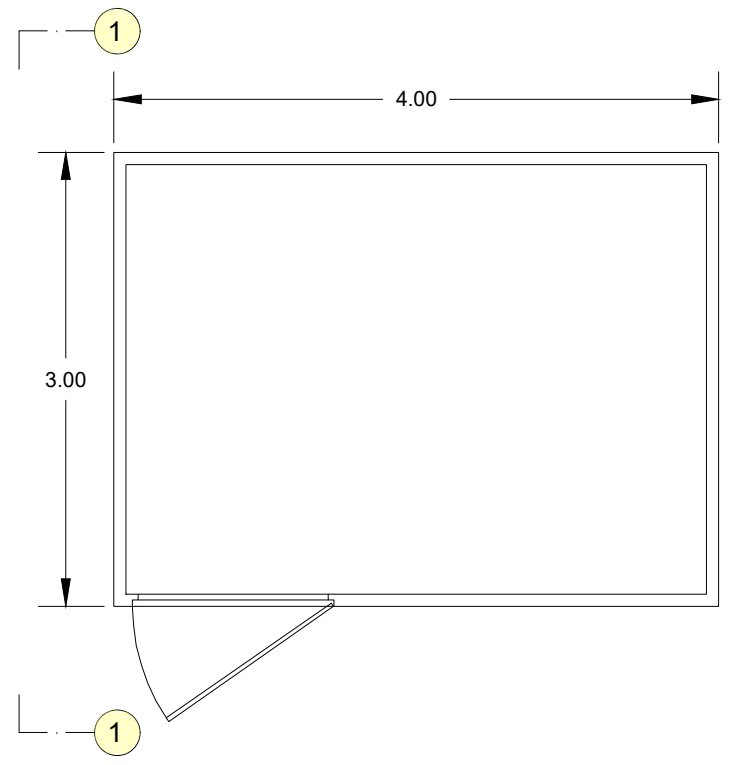
Drawing Number | Project | Originator | Discipline | Location | Type | Role | Number | Phase

MAY MDC SET LC06 DR Z 0003 D

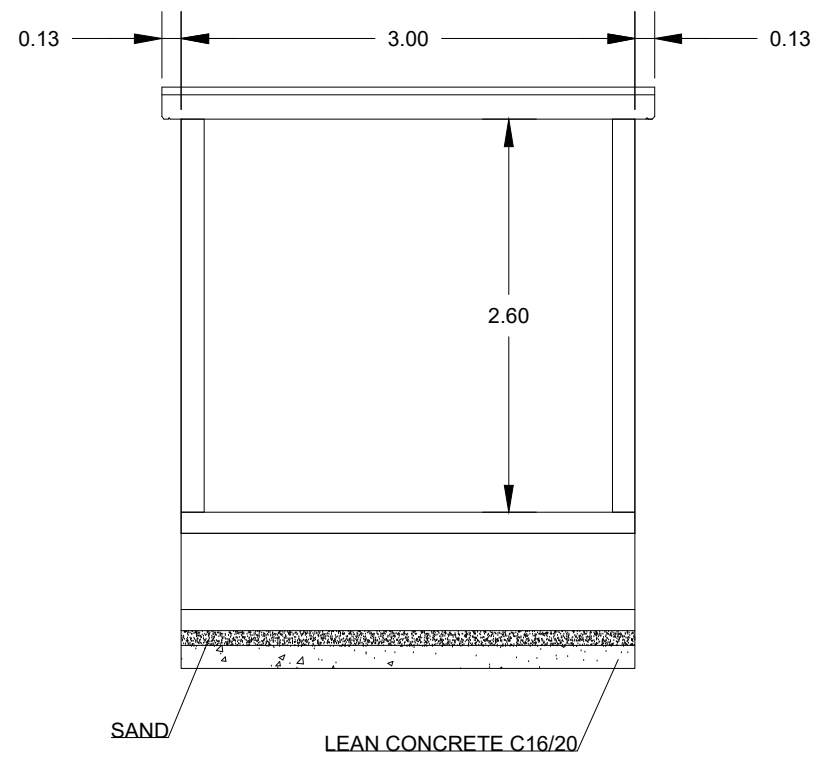
Date: April 2022 | Job No: P/101086 | Status: F1-Approved & accepted | Rev: V01 | Sheet: 01 of 01



FRONT VIEW



PLANT VIEW



VIEW 1'-1'

TER BUILDING

| | | | | | |
|-----|------------|----------------|-------------|-------------|-------------|
| REV | DATE | DESCRIPTION | PRODUCED BY | REVIEWED BY | APPROVED BY |
| V01 | April 2022 | PLANNING ISSUE | MCG | MPT | CCS |

© Irish Rail (2022). This drawing is confidential and the copyright in it is owned by Irish Rail. This drawing must not be either loaned, copied or otherwise reproduced in whole or in part or used for any purpose without the prior permission of Irish Rail.
 © Ordnance Survey Ireland and Government of Ireland. All O.S. data used for plans are printed under "Copyright Ordnance Survey Ireland".
 Survey No. 6039720 (OSi Aerial Data or OSi Lidar Data) & Survey No. 2020091_NMA_180 (OSi Vector Data).
 All elevations are in metres and relate to OSi Geoid Model1 (OSGM02) Mean-High as defined by existing Project Control.
 All Co-ordinates are in Irish Transverse Mercator Grid (ITM) as defined by OSi active GPS station Tallaght College (TL40).

Client

Consultant

Project

Drawing Title

SET TECHNICAL BUILDINGS
PORTERSTOWN BUILDINGS DETAIL

Scale: 1:20@ A3

| | | | | |
|------------|----------|------------------------|------|----------|
| Date: | Job No: | Status: | Rev: | Sheet: |
| April 2022 | P/101086 | F1-Approved & accepted | V01 | 01 of 01 |